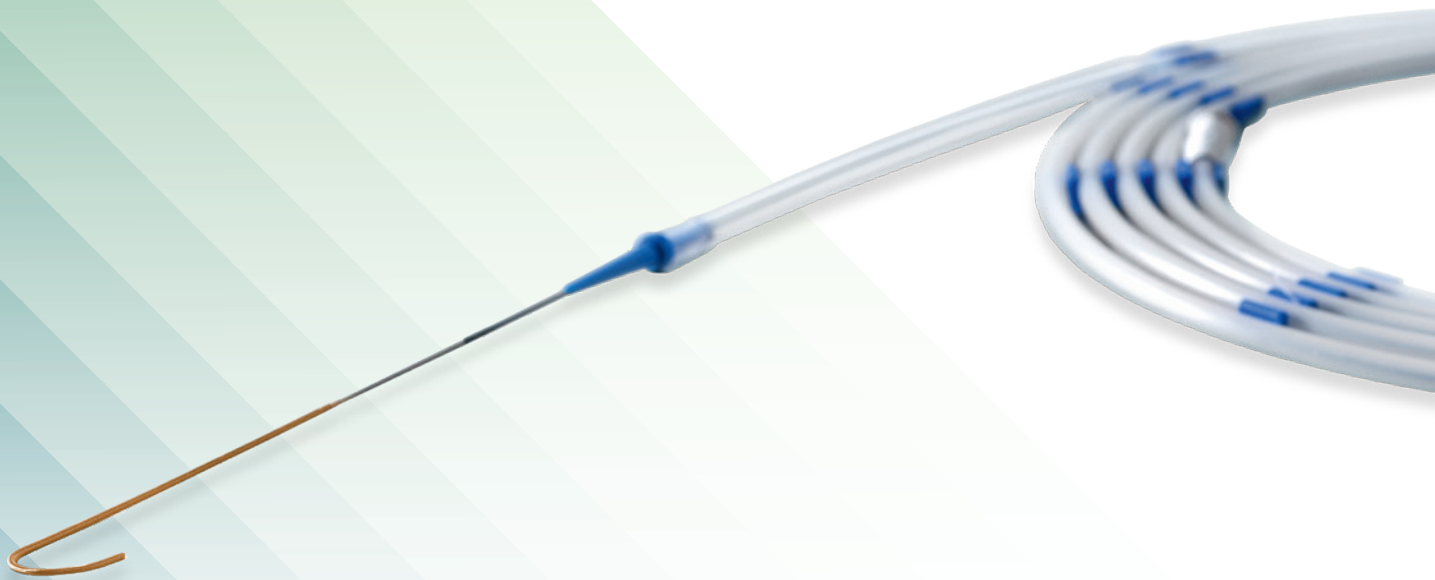


Because Support is Paramount



ARTIVION™

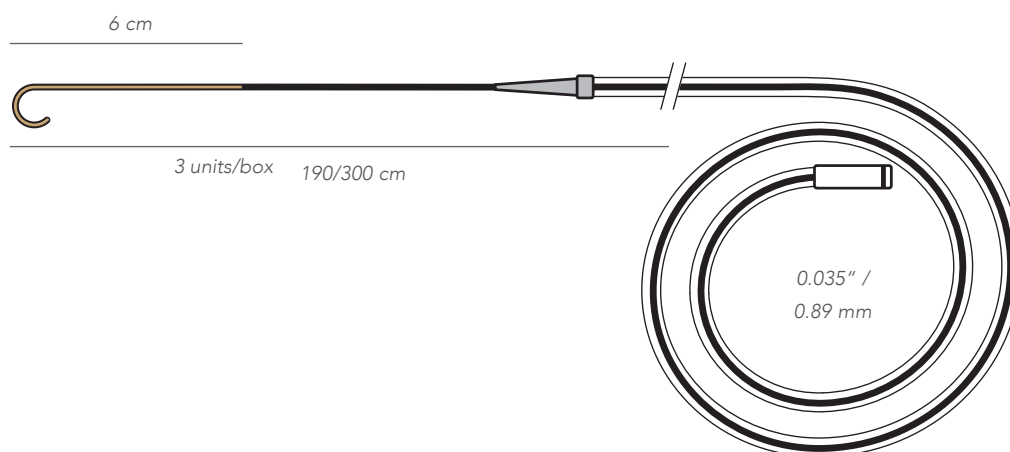
E-wire
Guidewire

E-wire Guide Wire

- Coated, extra stiff 0.035" guide wire
- Short and flexible J-tip with X-ray visibility
- Available in two different lengths: 190 and 300 cm
- For use in any catheter based diagnostic and interventional procedures

ORDERING INFORMATION

Catalog No.	Length [mm]	Tip length [cm]	Diameter ["/mm]
76XX1935N-06	190	6	0.035/0.89
76XX3035N-06	300	6	0.035/0.89



ARTIVION™

Learn more at [artivion.com](https://www.artivion.com)

All products and indications are not available/approved in all markets. All trademarks are owned by Artivion, Inc. or its subsidiaries. On-X Life Technologies, Inc. Jotec GmbH and Ascyrus Medical GmbH are wholly owned subsidiaries of Artivion, Inc. © 2022 Artivion, Inc. All rights reserved.

Artivion, Inc.
1655 Roberts Blvd., NW
Kennesaw, GA 30144 USA
Phone: +1-888-427-9654
Fax: +770-590-3753
E-mail: inquiries@artivion.com
For contact information by region, please visit. www.artivion.com/contact

 JOTEC GmbH, Lotzenäcker 23, 72379 Hechingen, Germany

JT-BR-0760200-EN V03 11/2022